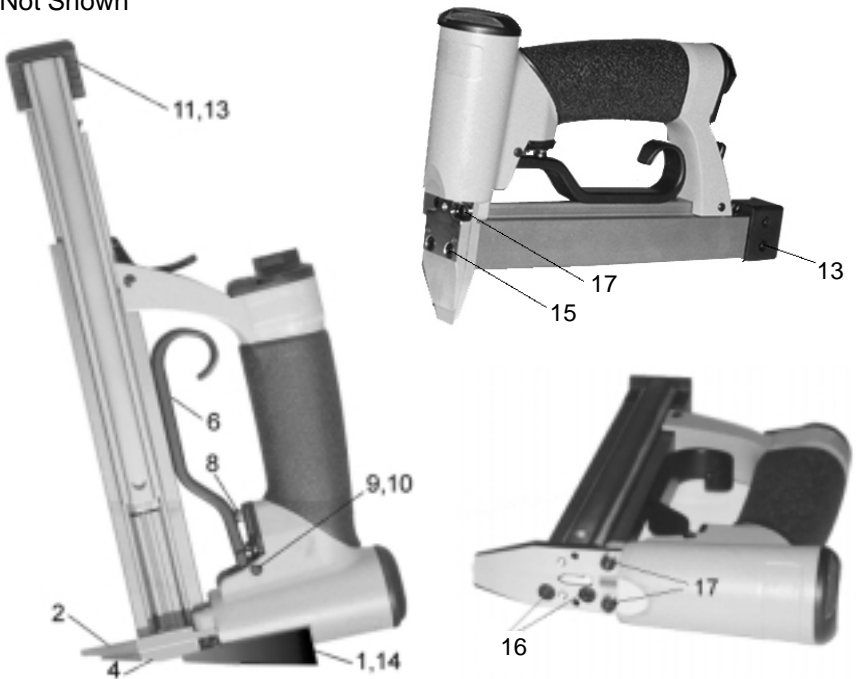


Pneumatic FrameMaster®

<u>Ref.No.</u>	<u>Part No.</u>	<u>Description</u>	<u>Quantity</u>
1	12-635	Stabilizing Shoe	1
2	12-636	Upper Guide	1
4	12-637	Lower Guide	1
6	12-638	Trigger	1
8	12-639	Trigger Spring	1
9	12-640	Trigger Pin	1
10	12-641	Retaining Clip	1
11	12-642	End Cap	1
13	000	End Cap Screw	2
14	12-644	Stabilizing Shoe Screw	1
15	12-645	Lower Guide Mtg. Screw	2
16	12-645	Upper Guide Mtg. Screw	2
17	12-646	Guide Assembly Mtg. Screw	2
18*	12-647	3mm Hex Wrench	1
19*	12-648	Air Oil	1

*Not Shown





For sales, service and spare parts

www.apm-mouldings.com.au

APM Mouldings 120-130 Bolinda Rd Campbellfield, VIC 3061
Ph: 03 8301 9199 | Fax 03 9357 4077 | Email apmoffice@chamton.com
www.apm-mouldings.com.au

Australian Owned Family Company
Quality Moulding Manufacturers and Distributors



FOR ORDERS
Available 24/7

